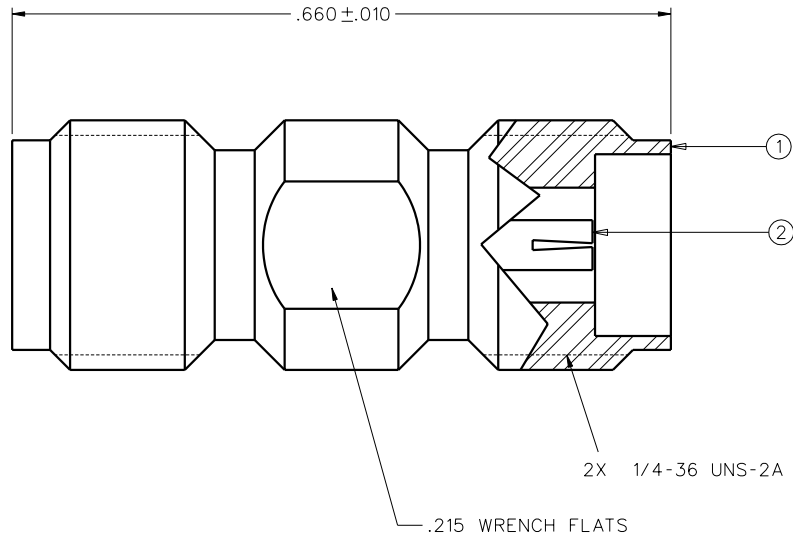


PART NUMBER	ITEM ① BODY	ITEM ② CONTACT	ITEM ③ (NOT SHOWN) SUPPORT BEAD
145-0901-801	STAINLESS STEEL GOLD PL .00001 MIN OVER NICKEL PL .00005 MIN OVER	BERYLLIUM COPPER GOLD PL .00005 MIN OVER NICKEL PL .00005 MIN OVER COPPER PL .00005 MIN	MODIFIED PPE RESIN

DRAWING NO. C - 145-0901-801/810			
0 REVISIONS			
ENGINEERING RELEASE			
1	4-8-04	A	12-16-03 ECN 49093



NOTES:

1. SPECIFICATIONS:
- IMPEDANCE: 50 OHMS
 - FREQUENCY RANGE: 0-40.0 GHz
 - VSWR: 1.20 MAX
 - WORKING VOLTAGE: 500 VRMS MAX AT SEA LEVEL
 - DIELECTRIC WITHSTANDING VOLTAGE: 1500 VRMS MIN AT SEA LEVEL
 - INSULATION RESISTANCE: 5000 MEGOHM MIN
 - CONTACT RESISTANCE:
 - CENTER CONTACT - INITIAL 4.0 MILLIOHM MAX, AFTER ENVIRONMENTAL 6.0 MILLIOHM MAX
 - OUTER CONDUCTOR - INITIAL 2.0 MILLIOHM MAX, AFTER ENVIRONMENTAL NOT APPLICABLE
 - BRAID TO BODY - NOT APPLICABLE
 - CORONA LEVEL: 375 VOLTS MIN AT 70,000 FEET
 - INSERTION LOSS: .06 √F (F IN GHz)
 - RF LEAKAGE: -90 dB MIN AT 2.5 GHz
 - RF HIGH POTENTIAL WITHSTANDING VOLTAGE: 1000 VRMS MIN AT 4 AND 7 MHz
- MECHANICAL:
- ENGAGE/DISENGAGE TORQUE: 2 INCH-POUNDS MAX
 - MATING TORQUE: 7-10 INCH POUNDS
 - CONTACT RETENTION: 6 LBS MIN AXIAL FORCE
 - CABLE ACCEPTABILITY: NOT APPLICABLE
 - CABLE HEX CRIMP SIZE: NOT APPLICABLE
 - CABLE RETENTION: NOT APPLICABLE
 - DURABILITY: 500 CYCLES MIN
- ENVIRONMENTAL:
- (MEETS OR EXCEEDS THE APPLICABLE PARAGRAPH OF MIL-C-39012)
 - THERMAL SHOCK: MIL-STD-202, METHOD 107, CONDITION B
 - OPERATING TEMPERATURE: -65 DEG C TO 165 DEG C
 - CORROSION: MIL-STD-202, METHOD 101, CONDITION B
 - SHOCK: MIL-STD-202, METHOD 213, CONDITION I
 - VIBRATION: MIL-STD-202, METHOD 204, CONDITION D
 - MOISTURE RESISTANCE: MIL-STD-202, METHOD 106

CUSTOMER DRAWING

THIS DRAWING TO BE INTERPRETED PER ANS Y 14.5M - 1982

"μSTATION"

COMPANY CONFIDENTIAL

TOLERANCE UNLESS OTHERWISE SPECIFIED		DRAWN BY	DATE	299 Johnson Ave. P.O. Box 1732 Waseca, MN 56093-0832
DECIMALS	mm	T.A.Kari	12-11-03	
.XX		CHECKED BY	DATE	TITLE ADAPTER ASSEMBLY JACK TO JACK SMK (2.92mm)
.XXX		APPROVED BY	DATE	
MATL		APPROVED BY	DATE	CODE NO.
FINISH		T.A.Kari	4-8-04	DRAWING NO. C - 145-0901-801/810
		RELEASE DATE	4-8-04	SCALE 10:1
				U/M INCH
				SHEET 2 OF 2